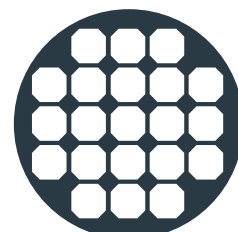
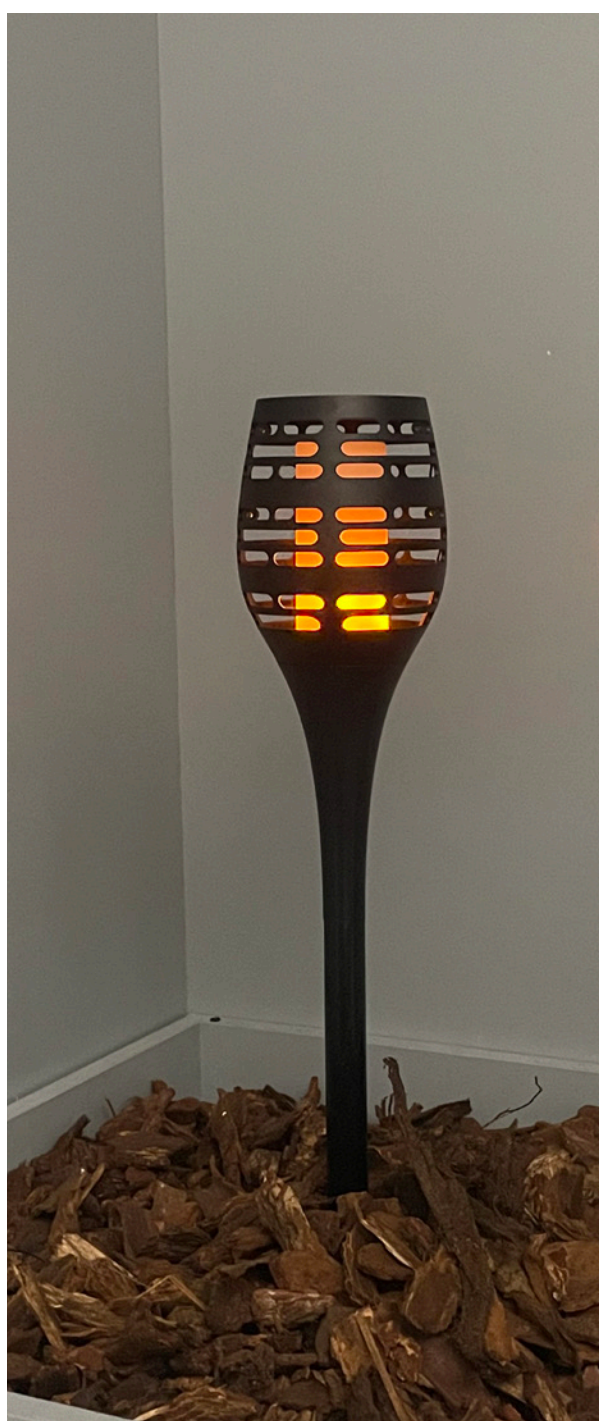


Collection 2022 - 2023

Solar High Lumen



Solar



The story behind



high lumen

We wanted to develop a real alternative for 230v cabled garden/outdoor lighting.



solar

Using high-end materials and efficient design we found a way to make our products easy to use, esthetic and durable.



Light & motion sensor

Integrating light & motion sensors in our products combined with protocols based on customer research, make them intuitive and practical.



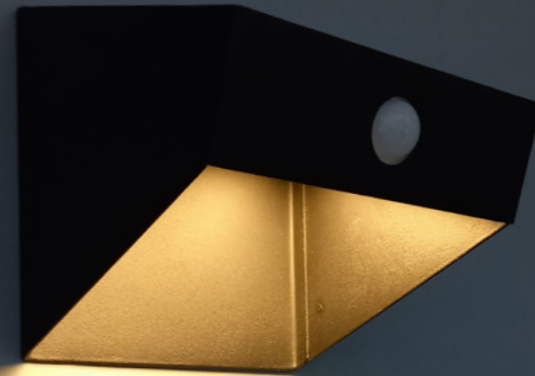
Outdoor use

Dutch design and a strong production control gives us the confidence to give 3 years warranty.



No plug needed

High-end products for very competitive pricing.





Wall Lamp Flat



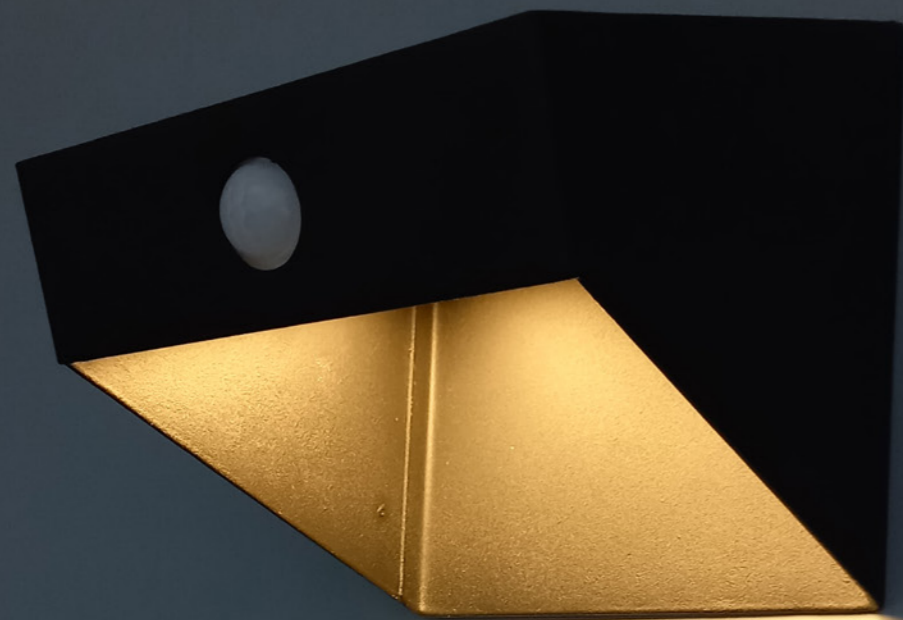
036.52.002.5 Wall Lamp Flat 500Lm
LED max. **500 Lumen**
Warm White Light 3000K
Solarpanel 420mA, black matte
Battery: 18650 Li-ion 2500mAh
Motion & Lightsensor
3 light settings
IP44
Mounting material included

036.52.002.3 Wall Lamp Flat 300Lm
LED max. **300 Lumen**
Warm White Light 3000K
Solarpanel 300mA, black matte
Battery: 18650 Li-ion 1500mAh
Motion & Lightsensor
3 light settings
IP44
Mounting material included

Excellent solar performance



6 hours charging,
70% light output after 8 hours operation



Wall Lamp Angle



036.52.002b.5 Wall Lamp Angle 500Lm

LED max. **500 Lumen**
Warm White Light 3000K
Solarpanel 420mA, black matte
Battery: 18650 Li-ion 2500mAh
Motion & Lightsensor
3 light settings
IP44
Mounting material included

036.52.002b.3 Wall Lamp Angle 300Lm

LED max. **300 Lumen**
Warm White Light 3000K
Solarpanel 300mA, black matte
Battery: 18650 Li-ion 1500mAh
Motion & Lightsensor
3 light settings
IP44
Mounting material included

Excellent solar performance



6 hours charging,
70% light output after 8 hours operation



Stable Lamp Solar



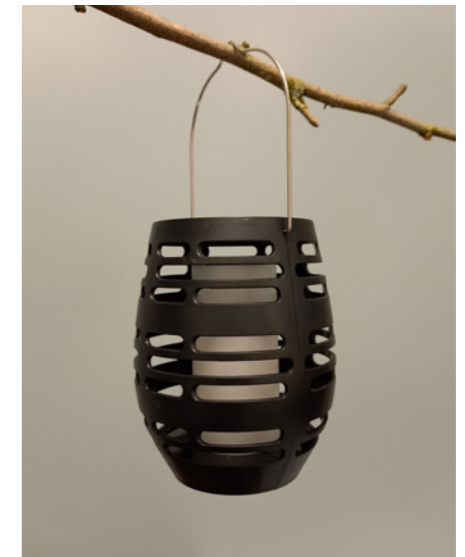
089.52.003 BLACK
LED max. 300 Lumen
Warm White Light 3000K
Solarpanel 150mA, black matte
Battery: 14500 Li-ion 800mAh
Motion & Lightsensor
3 light settings
IP44
Mounting material included

Excellent solar performance



6 hours charging,
70% light output after 8 hours operation

Led Garden Torch



036.51.011 Solar LED Garden Torch

96 LED flame effect
Warm Yellow light 1500K
Solarpanel 160mA, black gloss
Battery 14500(AA) NiMH 800mAh
Lightsensor
On/Off button
IP44
4 configurations: Stake long, Stake short, Table, Hanging

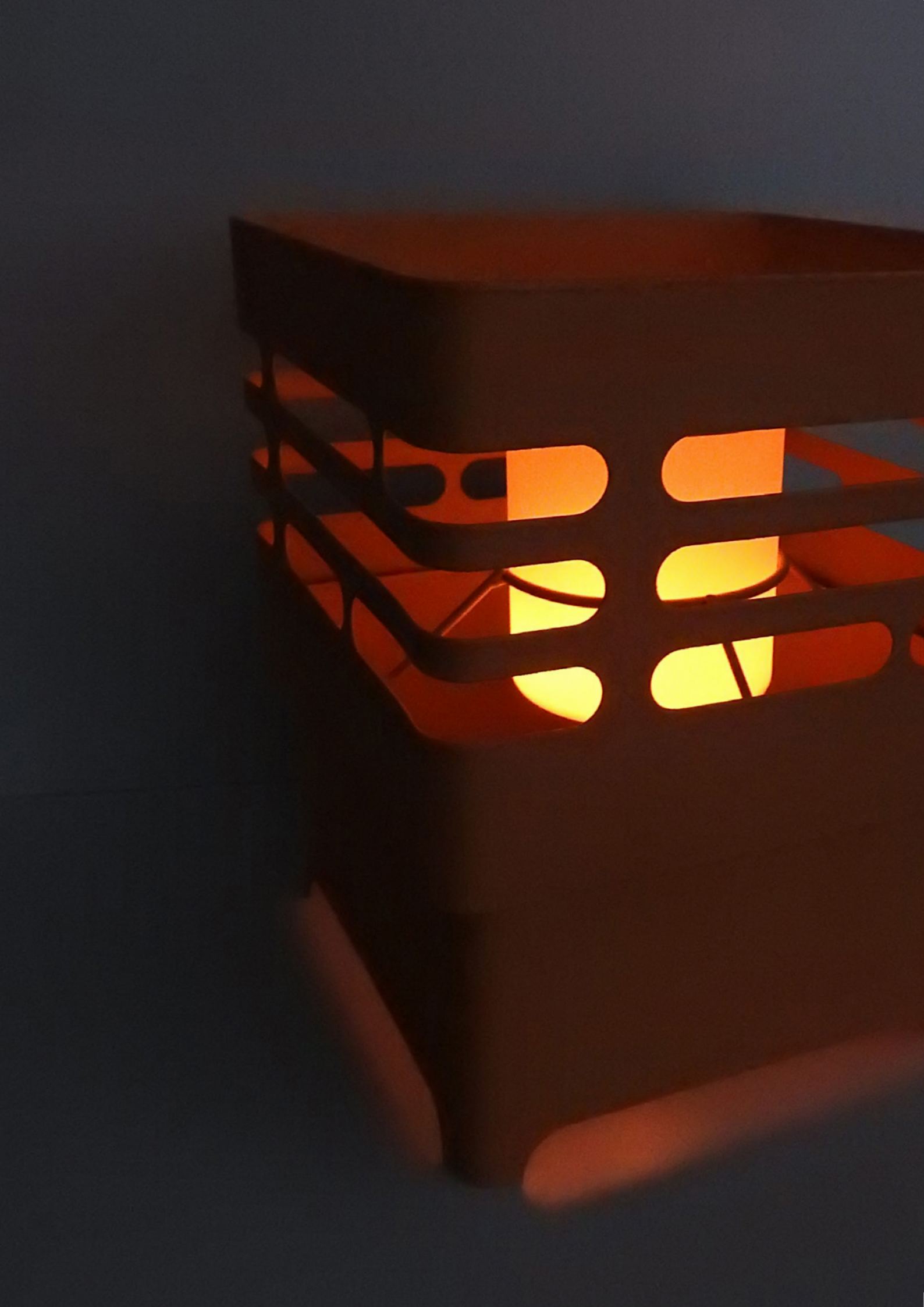


flame effect

Excellent solar performance



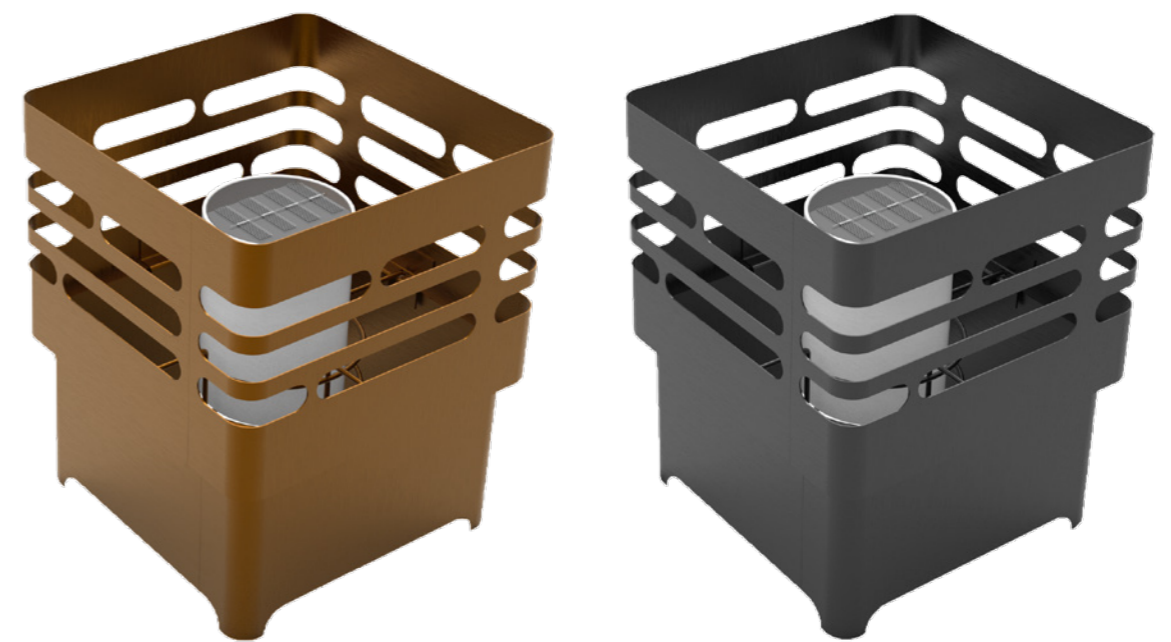
6 hours charging,
70% light output after 8 hours operation



Firepit Solar Light

33x SMD LED flame effect
Warm Flame Light 1500K
Solarpanel 60mA
Rechargeable Battery: AAA NiMH 400mAh
Lightsensor
On/Off button
IP44
18x18x22cm

Color: RUST LOOK & BLACK



Excellent solar performance



6 hours charging,
70% light output after 8 hours operation

Firepit Solar Light

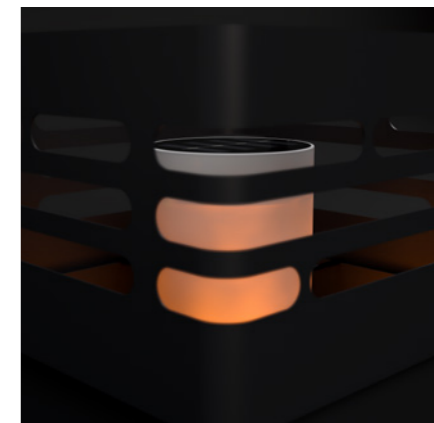
Product Trailer



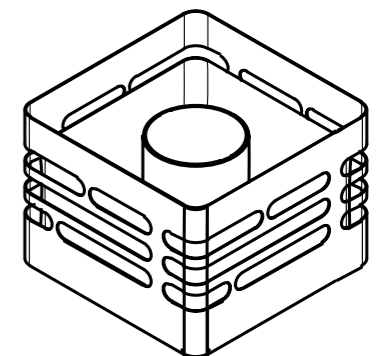
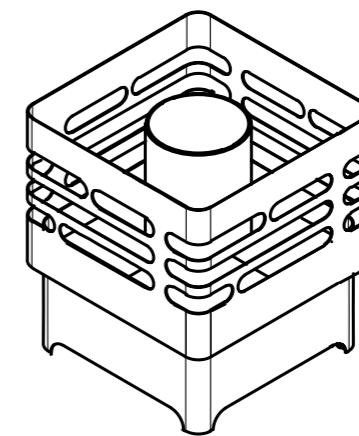
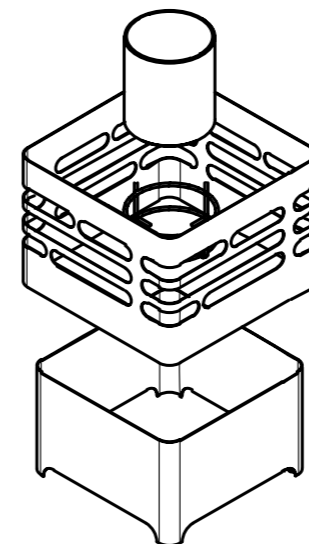
tinyurl.com/solarfirepit



flame effect



3 Part Compact Construction





Post Lamp Square



036.56.004.5 Postlamp Square Long

LED max. **500 Lumen**
Warm White Light 3000K
Solarpanel 420mA, black matte
Battery: 18650 Li-ion 2500mAh
Motion & Lightsensor
3 light settings
IP44
Includes ground pin



036.56.002.5 Postlamp Square Short

LED max. **500 Lumen**
Warm White Light 3000K
Solarpanel 420mA, black matte
Battery: 18650 Li-ion 2500mAh
Motion & Lightsensor
3 light settings
IP44
Includes ground pin

Excellent solar performance



6 hours charging,
70% light output after 8 hours operation





Post Lamp Leaning



036.56.003.5 Postlamp Leaning Long

LED max. **500 Lumen**
Warm White Light 3000K
Solarpanel 420mA, black matte
Battery: 18650 Li-ion 2500mAh
Motion & Lightsensor
3 light settings
IP44
Includes ground pin



036.56.001.5 PostLamp Leaning Short

LED max. **500 Lumen**
Warm White Light 3000K
Solarpanel 420mA, black matte
Battery: 18650 Li-ion 2500mAh
Motion & Lightsensor
3 light settings
IP44
Includes ground pin

Excellent solar performance



6 hours charging,
70% light output after 8 hours operation



Settings

Metal Wall Lamps (Flat & Angle)
Post Lamps (Straight & Leaning)

Setting	Motion	All Night*
1	35 Lm	0 Lm
2	100 Lm	35 Lm
3	300/ 500 Lm	35 Lm



*6 hours charging is minimal 70% light output after 8 hours operation.
See performance indication on next page

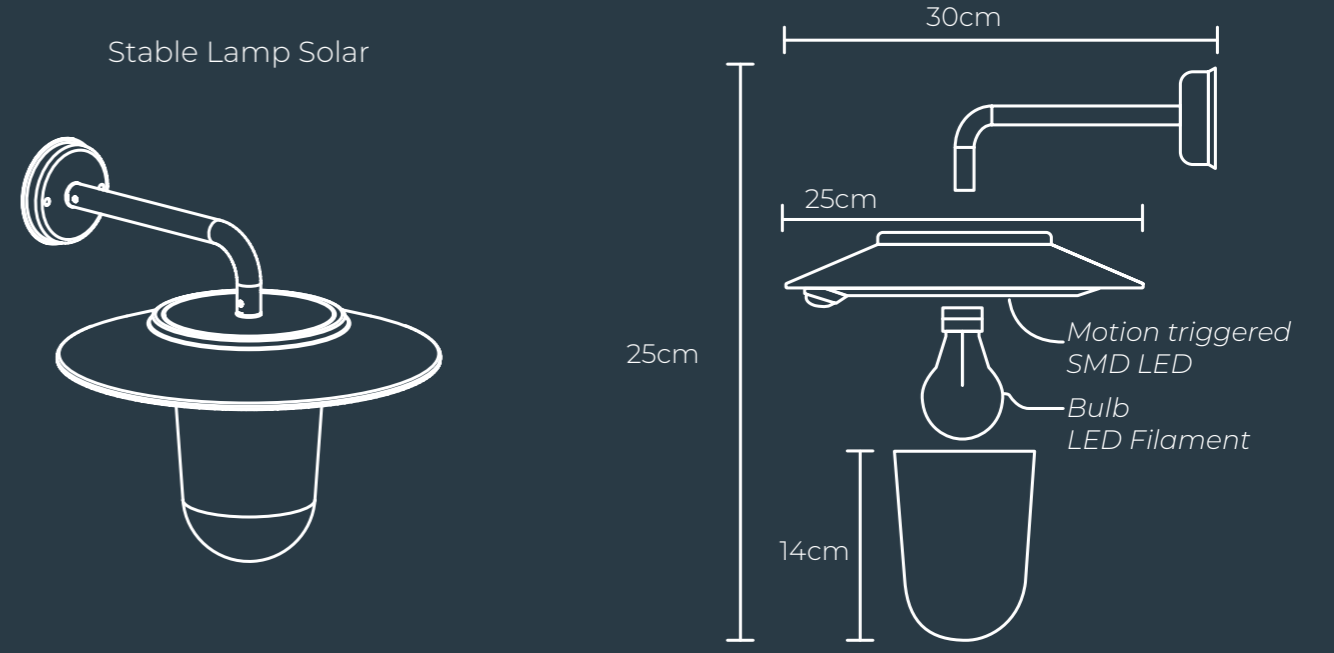
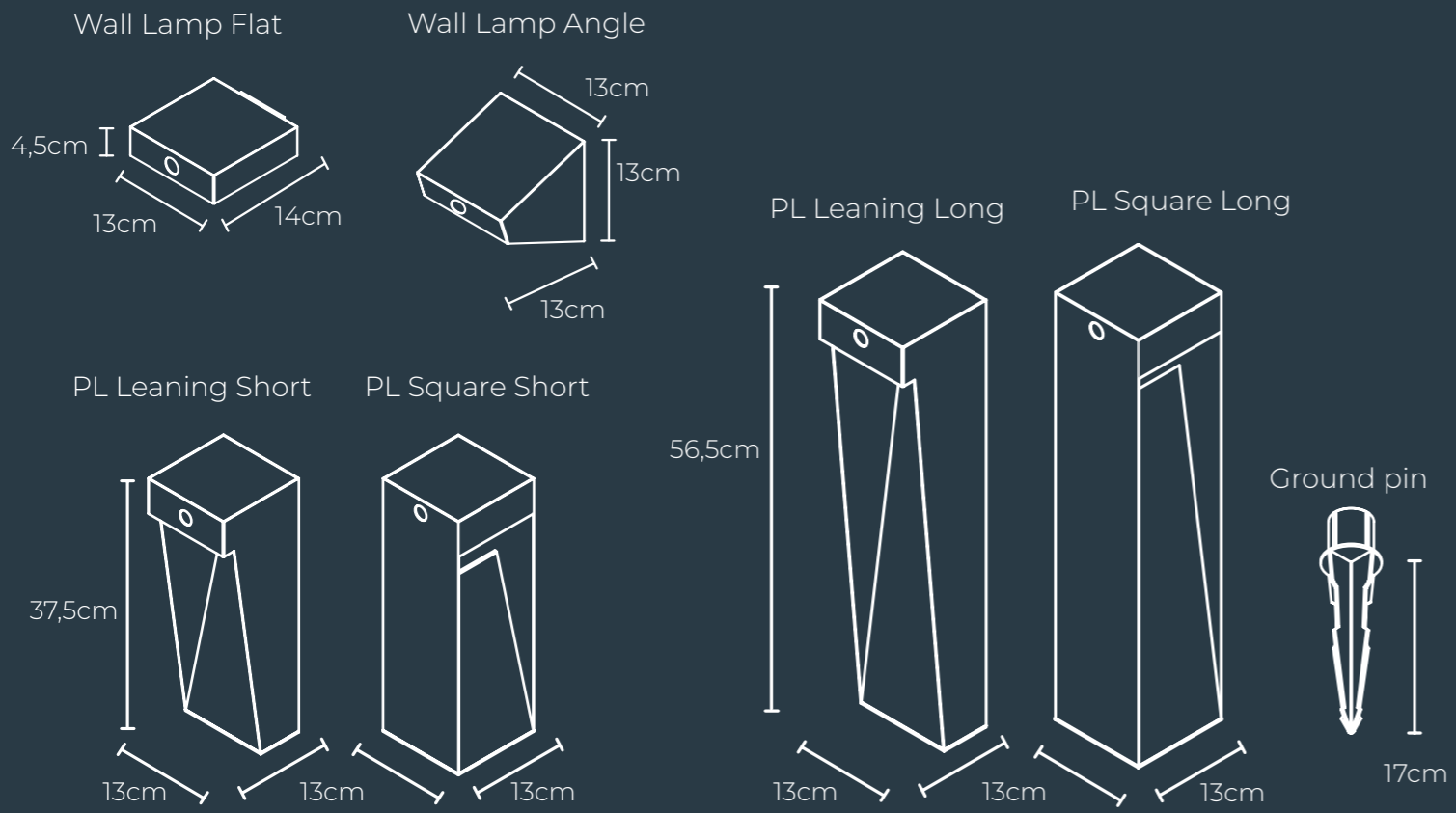
Settings

Stable Lamp

Setting	Motion	All Night*
1	50 Lm	🔌 Bulb off
2	50 Lm	💡 Bulb On
3	300 Lm	💡 Bulb On



*6 hours charging is minimal 70% light output after 8 hours operation.
See performance indication on next page



Light settings

Setting 0: Off (no light icon)

Setting 1: Shadow side (35 Lumen, motion only) (cloud icon)

Setting 2: Half Sun side (100 Lumen motion, 35 Lumen) (half sun icon)

Setting 3: Sun side (500 Lumen motion, 35 Lumen) (full sun icon)

Light Settings

Setting 0: Off (no light icon)

Setting 1: Shadow side (50 lumen, motion only) (cloud icon)

Setting 2: Half Sun side (50 Lumen, Half dimmed) (half sun icon)

Setting 3: Sun side (300 Lumen, all functions) (full sun icon)

Performance indication

	South		East/West		North	
	Setting	Motion (10-30s)	Setting	Motion (10-30s)	Setting	Motion (10-30s)
Summer	#3	100x	#2	150x	#1	60x
Spring/Fall	#3	35x	#2	75x	#1	30x
Winter	#1	300x	#1	150x	#1	20x

Performance indication

	South		East/West		North	
	Setting	Motion (10-30s)	Setting	Motion (10-30s)	Setting	Motion (10-30s)
Summer	#3	80x	#2	150x	#1	40x
Spring/Fall	#3	35x	#2	30x	#1	25x
Winter	#1	300x	#1	150x	#1	20x

Lightbulb icon: Bulb On
 Lightbulb with slash icon: Bulb Off, only motion triggered

The performance of a solar lamp depends on the position of the lamp and the season.

- The Solar Lamp works best on the South Side with clear view to the sky.
- Due to the big solar panel and battery, other positions can work good as well.
- Use mode 1 to save battery on cloudy days and in winter.
- Use mode 2 to save battery on an east/west position, or in cloudy days.
- Use mode 3 on the south side in the summer.
- If the lamp performance is not good enough, use a lower setting.

The performance of a solar lamp depends on the position of the lamp and the season.

- The Solar Lamp works best on the South Side with clear view to the sky.
- Due to the big solar panel and battery, other positions can work good as well.
- Use mode 1 to save battery on cloudy days and in winter.
- Use mode 2 to save battery on an east/west position, or in cloudy days.
- Use mode 3 on the south side in the summer.
- If the lamp performance is not good enough, use a lower setting.

J&R Industries Ningbo
范德豪企业管理咨询(宁波)有限公司

Room 1605, Dongwei Building,
No.399 Minhe Road,
Zhenhai District, 315200 Ningbo
China